

Greyster's Pump Stations are the heart of our water recovery systems. Sized to meet the pumping needs of your project, they incorporate our Water Management Controller, Chlorination system and all communications to integrate with other systems in your project.

Greywater
Rainwater
Ground Water
Process Water
Combination Systems



- **Wide range of pump sizing options**
- **Integrated controller manages filtration, treatment and water management**
- **Integrated disinfection system**
- **Connectivity to Building Management System for full control**
- **Duplex options for redundancy, increased lifecycle & increased demands**
- **Custom pump options for even more flexibility**
- **Designed to North American standards for water reuse**
- **Optional power fail switchover**
- **Durable, robust construction**
- **2 Year Warranty**

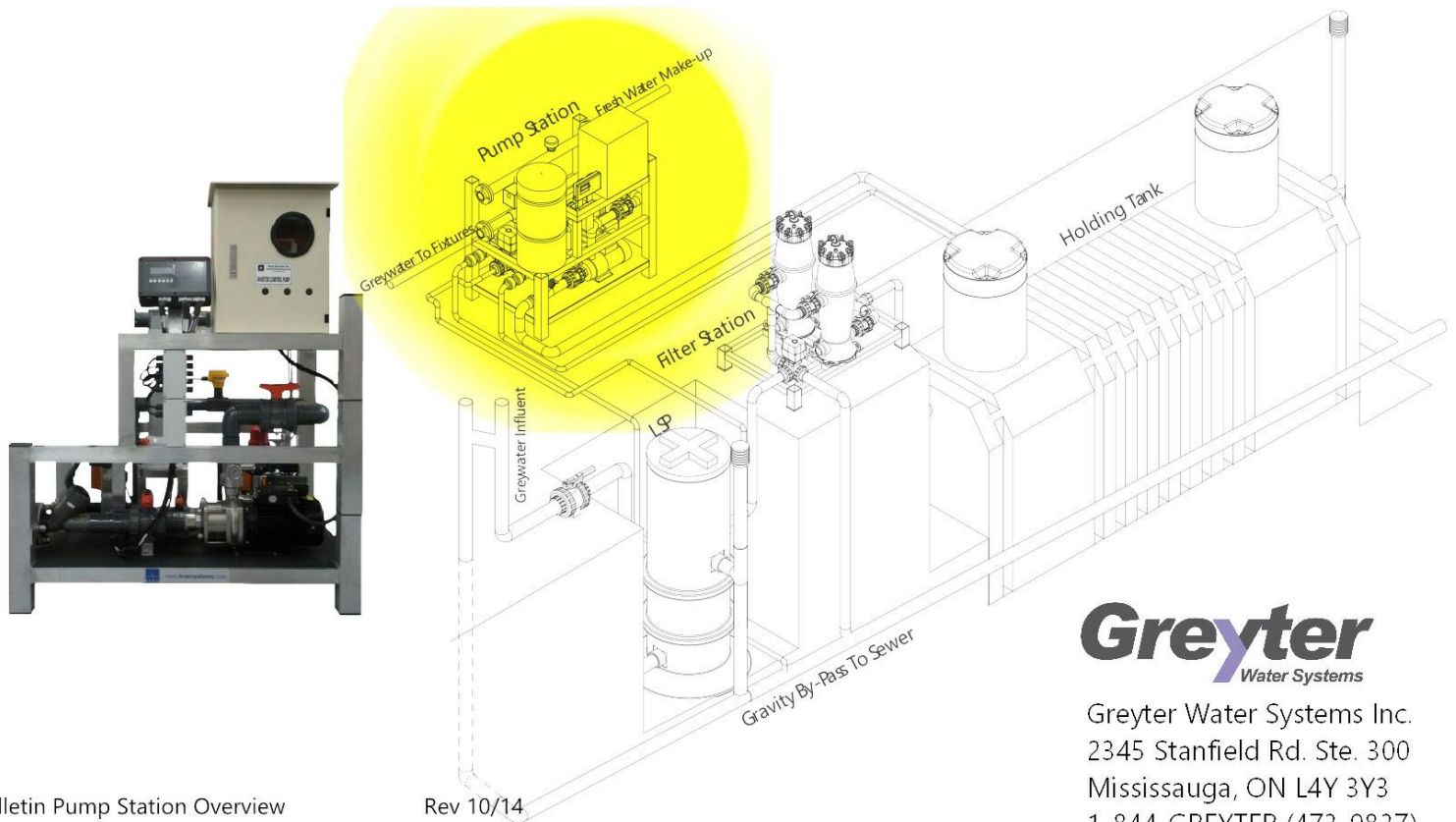
Greyster BCC100 Controller

Greyster's BCC100 controller manages every aspect of the water recovery system. Monitoring water levels, keeping an eye on critical tank levels, automatically adjusting chlorination levels and managing the pumps, chlorinator and automated valves, the BCC100 was designed specifically for water recovery management. With the ability to add water counters, sensors and optional valves, filters and devices and MODBUS communications built in, the BCC100 is everything you need to manage sophisticated water recovery systems and interface directly to the building management system for complete control.



Specifications

Model	Pump(s)	HP (1 Pump)	HP (1 Inverter)	Number of Pumps	PSI	Max Flow (GPM)	Hmax (ft)	Inlet Size	Outlet Size	make-up size	Phase	Voltage	Total Pump Amps	Length	Width	Height
GPS-3472 230/1	8L5T	2	3	1	72	34	160	2"	2"	2"	1	230	7.6	48"	32"	Maximum Height 62" Depending on options
GPS-3472 230/3	8L5T	2	3	1	72	34	160	2"	2"	2"	3	230	4.4	48"	32"	
GPS-3472 460/3	8L5T	2	3	1	72	34	160	2"	2"	2"	3	460	2.2	48"	32"	
GPS-6072 230/3	12L5T	3	5	1	72	60	160	2"	2"	2"	3	230	6.6	48"	32"	
GPS-6072 460/3	12L5T	3	5	1	72	60	160	2"	2"	2"	3	460	3.3	48"	32"	
GPS-11885 230/3	25L6T	10	10	1	85	118	160	3"	3"	3"	3	230	22.0	48"	32"	
GPS-11885 460/3	25L6T	10	10	1	85	118	160	3"	3"	3"	3	460	11.0	48"	32"	
GPS-21472 230/3	50L5T	15	15	1	72	214	160	4"	4"	4"	3	230	33.0	48"	32"	
GPS-21472 460/3	50L5T	15	15	1	72	214	160	4"	4"	4"	3	460	16.5	48"	32"	
GPSDuplex-6872 230/1	8L5T	2	3	2	72	68	160	2"	3"	3"	1	230	15.3	48"	32"	
GPSDuplex-6872 230/3	8L5T	2	3	2	72	68	160	2"	3"	3"	3	230	8.8	48"	32"	
GPSDuplex-6872 460/3	8L5T	2	3	2	72	68	160	2"	3"	3"	3	460	4.4	48"	32"	
GPSDuplex-12072 230/3	12L5T	3	5	2	72	120	160	2"	3"	3"	3	230	13.2	48"	32"	
GPSDuplex-12072 460/3	12L5T	3	5	2	72	120	160	2"	3"	3"	3	460	6.6	48"	32"	
GPSDuplex-23685 230/3	25L6T	10	10	2	85	236	196	3"	4"	4"	3	230	44.1	48"	32"	
GPSDuplex-23685 460/3	25L6T	10	10	2	85	236	196	3"	4"	4"	3	460	22.0	48"	32"	
GPSDuplex-42872 230/3	50L5T	15	15	2	72	428	160	4"	6"	6"	3	230	66.1	48"	32"	
GPSDuplex-42872 460/3	50L5T	15	15	2	72	428	160	4"	6"	6"	3	460	33.0	48"	32"	
GPSControl & Chlorination	Control Station for Third Party Pump Installations								4"	4"	4"			32"	24"	
SGW-3472 230/1	8L5T	2	3	1	72	34	160	2"	2"	2"	1	230	7.6	48"	32"	
SGW-3472 230/3	8L5T	2	3	1	72	34	160	2"	2"	2"	3	230	4.4	48"	32"	
SGW-3472 460/3	8L5T	2	3	1	72	34	160	2"	2"	2"	3	460	2.2	48"	32"	



Greyter
Water Systems

Greyter Water Systems Inc.
2345 Stanfield Rd. Ste. 300
Mississauga, ON L4Y 3Y3
1-844-GREYTER (473-9837)
Greyter.com