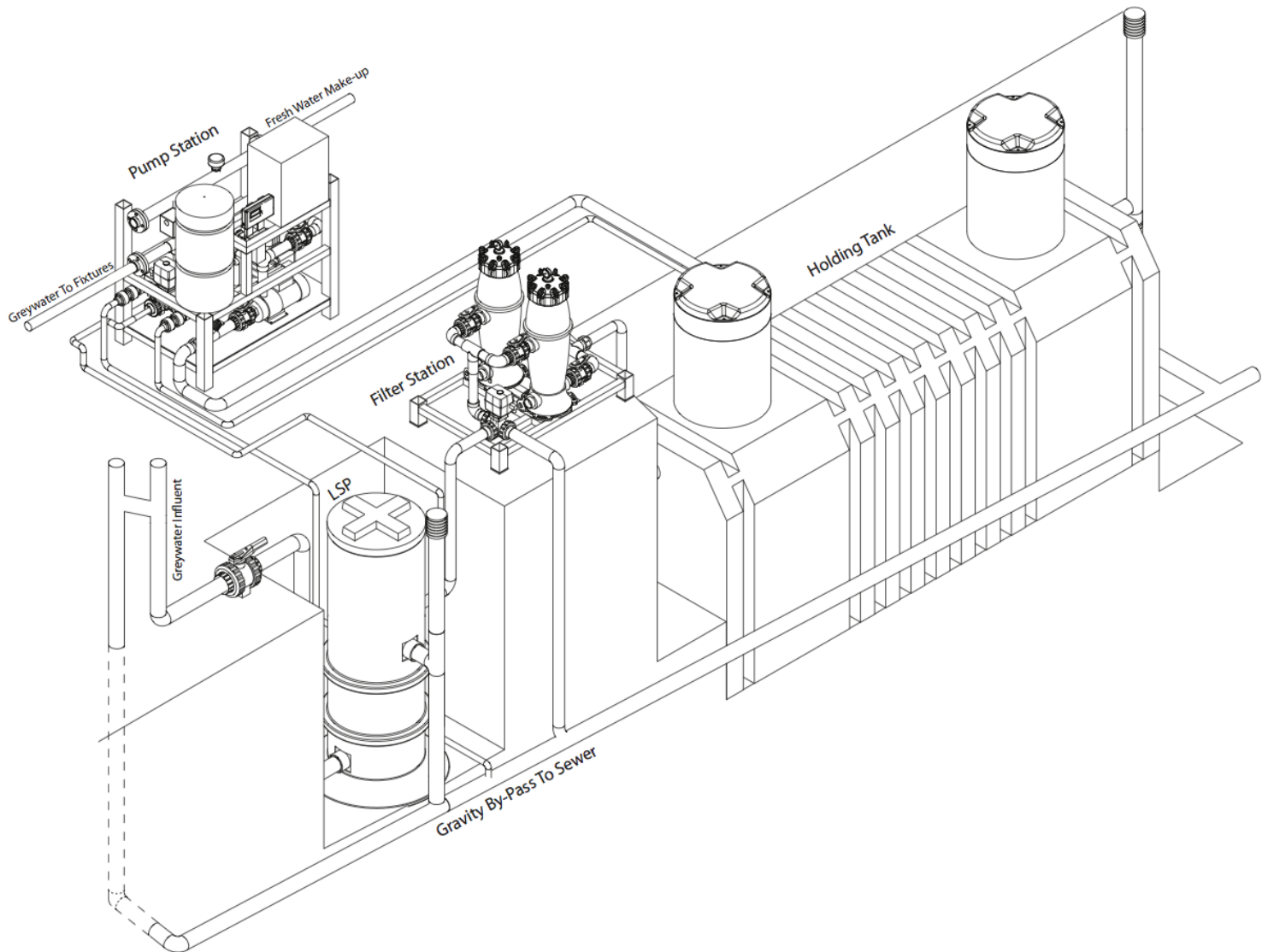


## Data Sheet: CGW Basic Overview



**This overview is for visualization only and contains certain omissions for clarity.  
All connections must comply with local laws and plumbing codes.**

The content of this Data Sheet is based upon the latest information available at the time of printing and is aimed at providing a general introduction to Greyster Water Systems Inc. products. No warranty or representation is hereby made by Greyster Water Systems Inc. as to the accuracy of said information. Greyster Water Systems Inc. is continually updating and improving its products and reserves the right to amend, discontinue, alter or change specifications and prices without prior notice.